



**Panels, Rails
And Gluing Hooks
CATALOG
2017**



USA Extruded Plastics, Inc.

965 E DISCOVERY LANE, ANAHEIM, CA 92801

(714) 991-6061 FAX (714) 991-5540

info@usaextrudedplastics.com

Usaplastics_toni@yahoo.com

linda@usaextrudedplastics.com

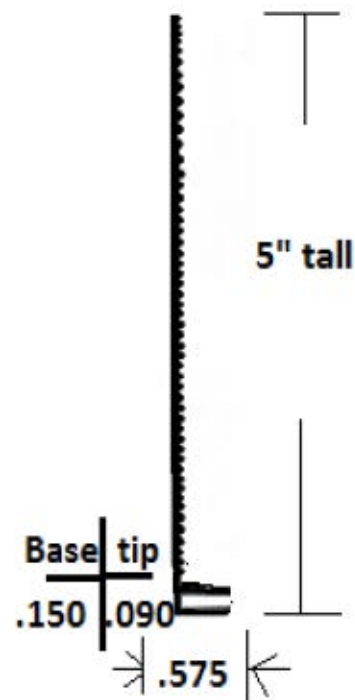


Owned & Operated



DIE # 4

Side Rail



Owned & Operated

Die # 4 - Side Rail

Manufactured using Virgin Acrylic / DR

Available in:

50" and 100" Lengths

COLOR: Clear (Opal is special run)

50 pieces Per carton

CALL FOR PRICING AND AVAILABILITY

USA EXTRUDED PLASTICS, INC.

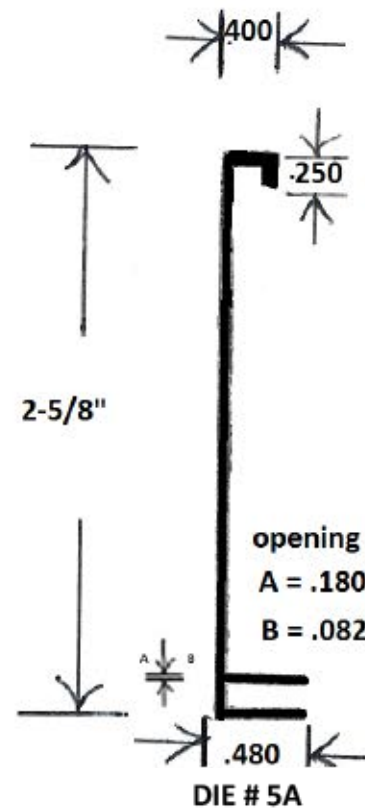
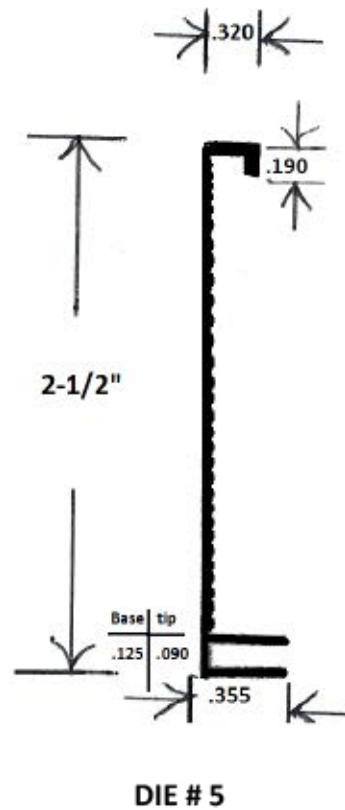
714-991-6061

965 E DISCOVERY LANE, ANAHEIM, CA 92801



DIE #5 and # 5A

Side Rail



DIE # 5 & 5A - Side Rails

Manufactured using VIRGIN ACRYLIC / DR

Available in

50 " LONG AND 100" Lengths

COLORS: CLEAR

42 PER CARTON



Owned & Operated

CALL FOR PRICING AND AVAILABILITY

714-991-6061

USA Extruded Plastics, Inc.

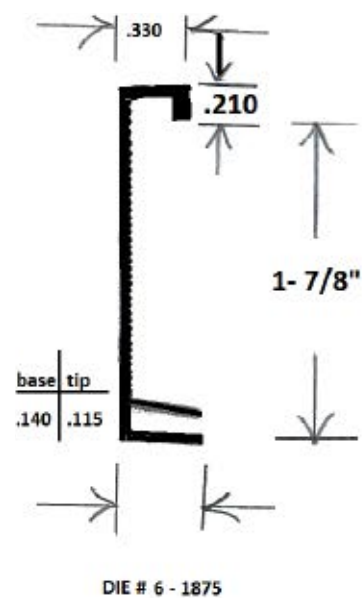
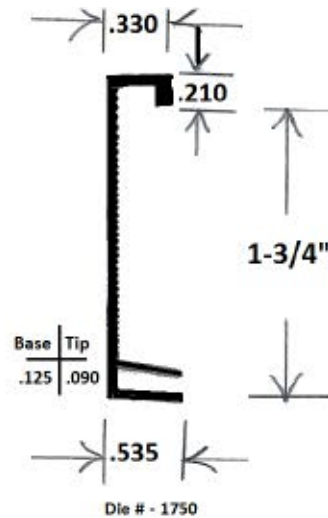
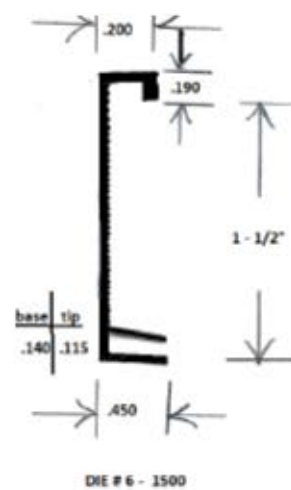
965 E DISCOVERY LANE, ANAHEIM, CA 92801



DIE # 6-1500 DIE # 6-1750

Die 6-1875

Side Rails



Die 6-1500 , Die 6-1750 and Die 6-1875

Side Rail

Manufactured using Virgin Acrylic / DR

Available in

50" and 100" Lengths

COLOR: Clear and Opal

64 pieces Per carton



CALL FOR PRICING and Availability

714-991-6061

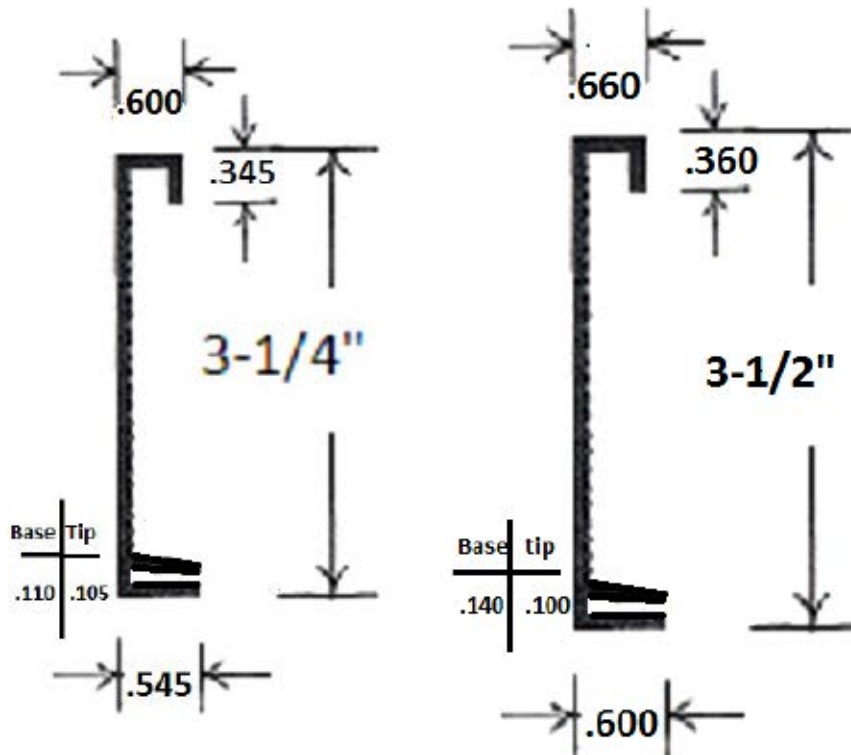
USA Extruded Plastics, Inc.

965 E DISCOVERY LANE, ANAHEIM, CA 92801



DIE # 7- 3250 and DIE # 7- 3500

Side Rail



DIE # 7 - 3250

DIE # 7 - 3500



Owned & Operated

Die # 7 - 3250 and Die # 7 - 3500 Side Rail

Manufactured using Virgin Acrylic / DR

Available in

50" and 100" Lengths

COLOR: Clear and Opal

28 pieces Per carton

**CALL FOR PRICING AND AVAILABIL-
ITY**

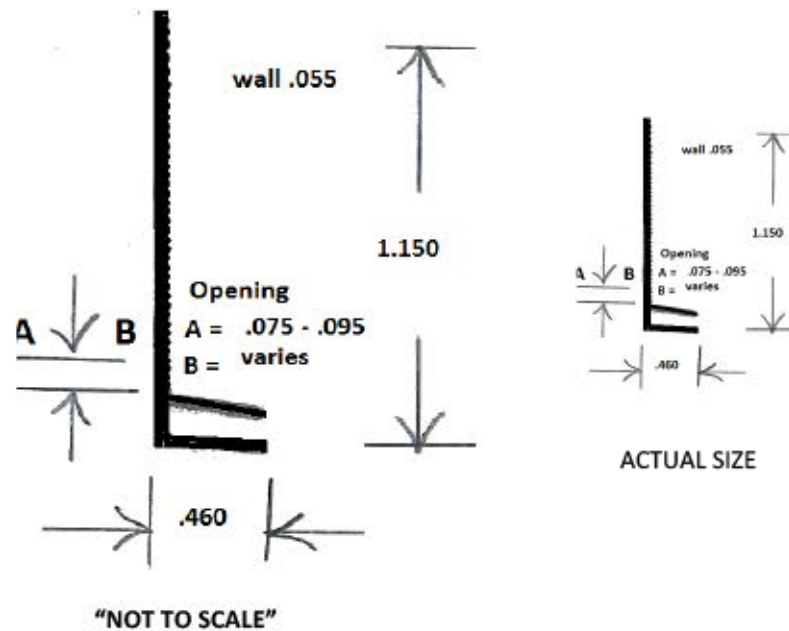
714-991-6061

USA Extruded Plastics, Inc.



DIE # 12

Side Panel



Die # 12 - Side Panel

Manufactured using Virgin Acrylic / DR

Available in:

100" Length

COLOR: Clear

200 pieces Per carton



CALL FOR PRICING AND AVAILABILITY

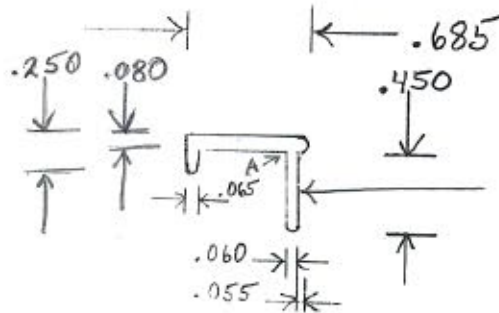
714-991-6061

965 E DISCOVERY LANE, ANAHEIM, CA 92801



DIE # 13

Hook



Die # 13—Hook

Manufactured using Virgin Acrylic / DR

Available in

50" Lengths

COLOR: Clear

180 pieces Per carton

CALL FOR PRICING AND AVAILABILITY

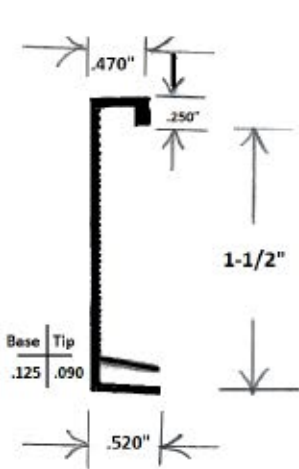
714-991-6061

USA Extruded Plastics, Inc.

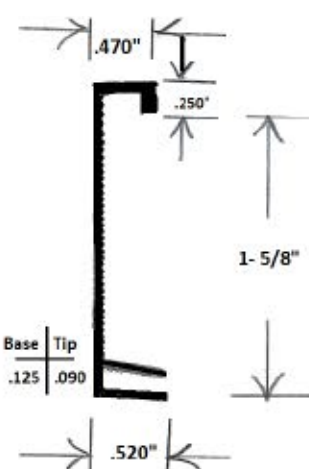
965 E DISCOVERY LANE, ANAHEIM, CA 92801



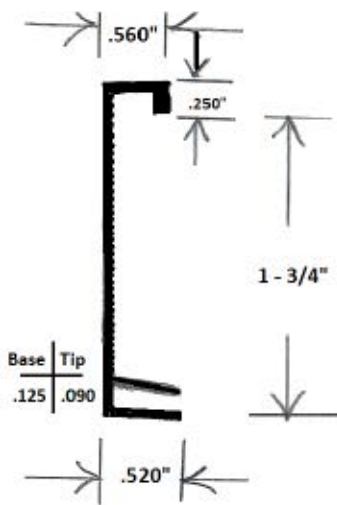
DIE # 14-1500 and Die 14 - 1625 And Die # 14-1750 Side Panel



DIE # 14-1500



DIE # 14-1625



DIE # 14 - 1750

**Die # 14- 1500 , Die 14 1625 and
Die # 14- 1750 Side Panel**

Manufactured using High Impact Styrene

Available in
50" AND 100" Lengths

COLOR: CLEAR

56 pieces Per carton



CALL FOR PRICING and Availability

714-991-6061

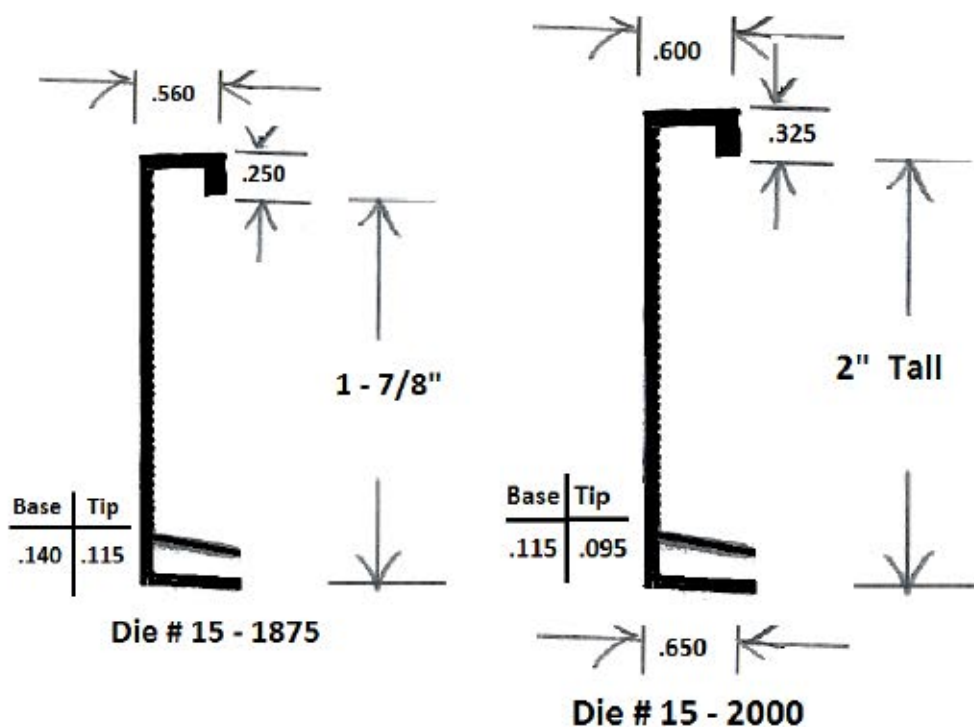
USA Extruded Plastics, Inc.

965 E DISCOVERY LANE, ANAHEIM, CA 92801



DIE # 15-1875 & DIE # 15-2000

Side Panel



Die 15—1875 and Die 15 –2000 Side Panel

Manufactured using Virgin Acrylic / DR

Available in

50" and 100" Length

COLOR: Clear

50 pieces Per carton

CALL FOR PRICING AND AVAILABILITY

714-991-6061

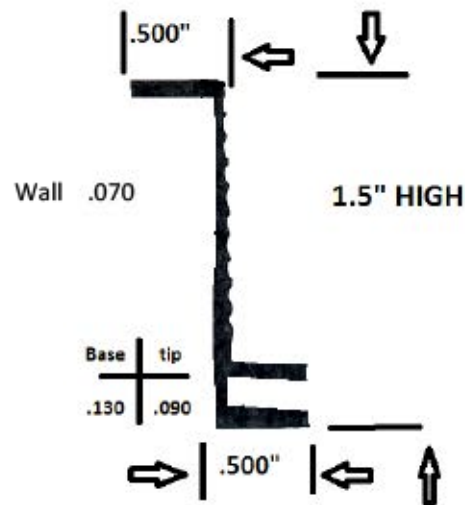
USA Extruded Plastics, Inc.

965 E DISCOVERY LANE, ANAHEIM, CA 92801



DIE # 22

Side Panel



DIE # 22

NOT TO SCALE

Die 22 Side Panel

Manufactured using Virgin Acrylic / DR

Available in

50" and 100" Lengths

COLOR: Clear

72 pieces Per carton



Owned & Operated

CALL FOR PRICING AND AVAILABILITY

USA EXTRUDED PLASTICS, INC.

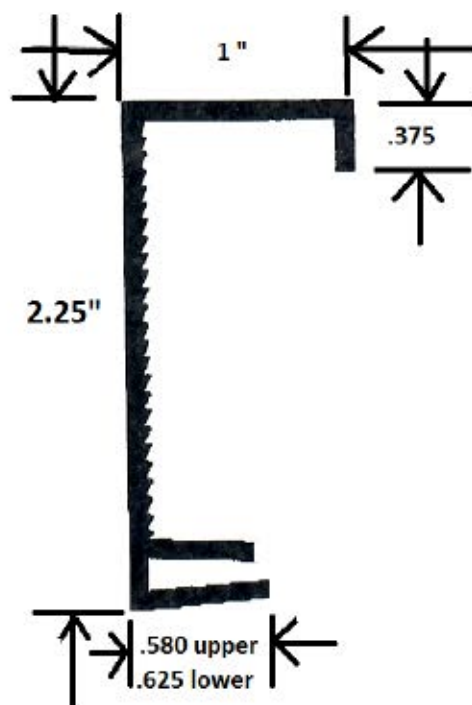
714-991-6061

965 E DISCOVERY LANE, ANAHEIM, CA 92801



DIE # 23

Side Panel



Die 23 Side Panel

Manufactured using Virgin Acrylic / DR

Available in

50" Lengths, call for 100"

COLOR: Clear

36 pieces Per carton

USA Extruded Plastics, Inc.

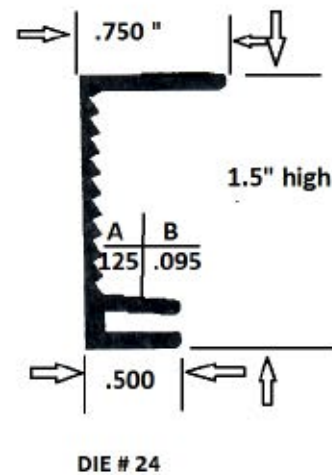
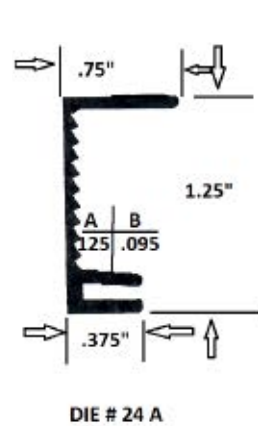
714-991-6061

965 E DISCOVERY LANE, ANAHEIM, CA 92801



DIE # 24 and Die # 24A

Side Rail



Die 24 and Die # 24A Side Rail

Manufactured using Virgin Acrylic / DR

Available in

50" and 100" Length

COLOR: Clear

70 pieces per carton



CALL FOR PRICING AND AVAILABILITY

714-991-6061

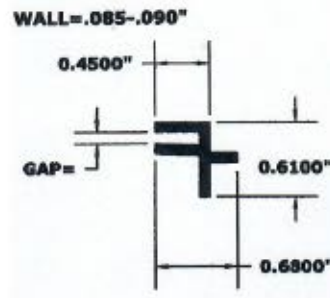
USA Extruded Plastics, Inc.

965 E DISCOVERY LANE, ANAHEIM, CA 92801



DIE # 25

Side Rail



DIE # 25 Side Rail

Manufactured using VIRGIN ACRYLIC / DR

Available in

50 " LONG AND 100" Lengths

COLORS: CLEAR

125 PER CARTON



CALL FOR PRICING AND AVAILABILITY

714-991-6061

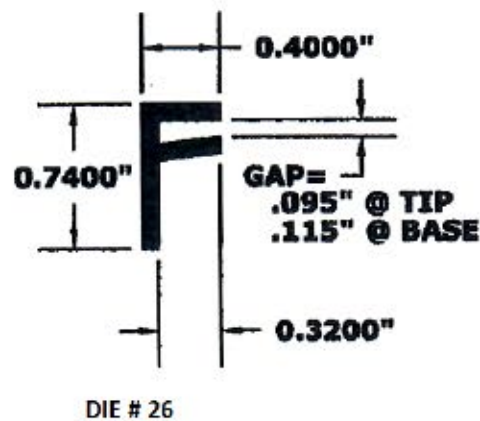
USA Extruded Plastics, Inc.

965 E DISCOVERY LANE, ANAHEIM, CA 92801



DIE # 26

End Rails



Die # 26 - Side Rail

Manufactured using Virgin Acrylic / DR

Available in

50" and 100" Lengths

COLOR: Clear

200 pieces Per carton



CALL FOR PRICING AND AVAILABILITY

714-991-6061

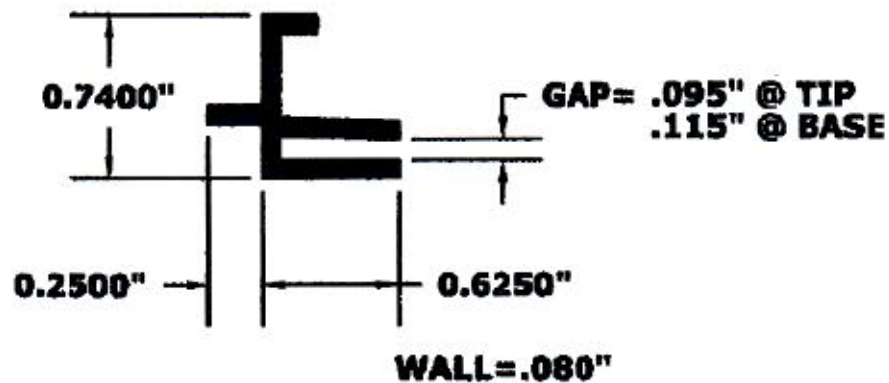
USA Extruded Plastics, Inc.

965 E DISCOVERY LANE, ANAHEIM, CA 92801



DIE # 27

Side Rail



Owned & Operated

Die # 27 - Side Rail

Manufactured using Virgin Acrylic / DR

Available in

50" and 100" Lengths

COLOR: Clear and white

90 pieces Per carton

CALL FOR PRICING AND AVAILABILITY

714-991-6061

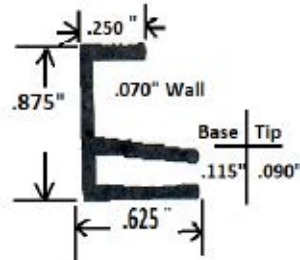
USA Extruded Plastics, Inc.

965 E DISCOVERY LANE, ANAHEIM, CA 92801



DIE # 28

End Rail



Die 28 End Rail

Manufactured using Virgin Acrylic / DR

Available in

50" Lengths , please call for 100"

COLOR: Clear

100 pieces per carton

CALL FOR PRICING AND AVAILABILITY

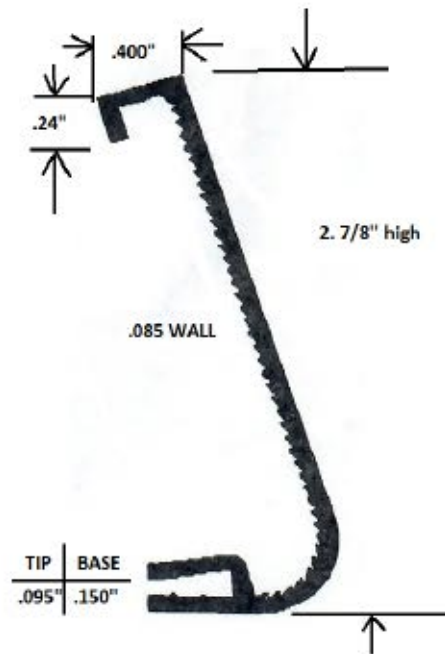
714-991-6061

USA Extruded Plastics, Inc.

965 E DISCOVERY LANE, ANAHEIM, CA 92801



DIE # 30 Side Panel



Owned & Operated

Die #30 Side Panel

Manufactured using Virgin Acrylic / DR

Available in

50" Lengths call for 100"

COLOR: Clear

22 pieces Per carton

CALL FOR PRICING and Availability

714-991-6061

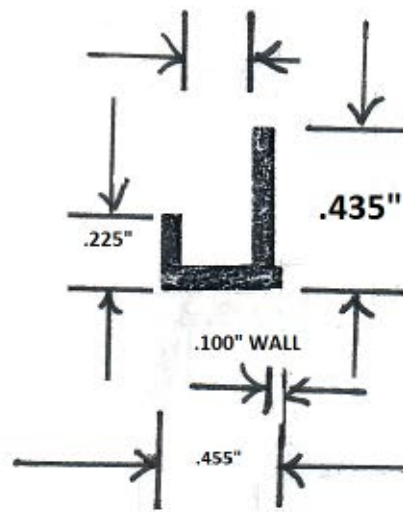
USA Extruded Plastics, Inc.

965 E DISCOVERY LANE, ANAHEIM, CA 92801



DIE # 31

Hook



Die 31 Hook

Manufactured using Virgin Acrylic / DR

Available in

50" Lengths

COLOR: Clear

300 pieces Per carton

CALL FOR PRICING and Availability

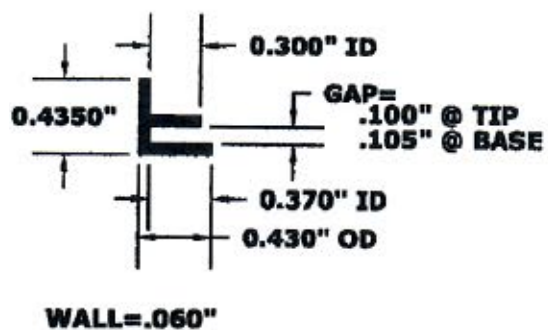
714-991-6061

965 E DISCOVERY LANE, ANAHEIM, CA 92801



DIE # 32

Side Rail



Owned & Operated

Die #32 Side Rail

Manufactured using Virgin Acrylic / DR

Available in

100" Lengths

COLOR: Clear

300 pieces Per carton

CALL FOR PRICING and Availability

714-991-6061

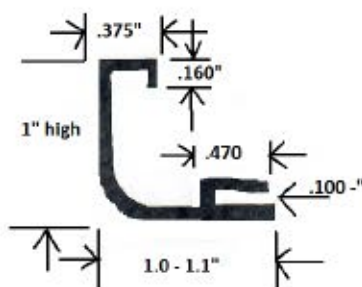
USA Extruded Plastics, Inc.

965 E DISCOVERY LANE, ANAHEIM, CA 92801



DIE # 34

Side Panel



Die 34 Side Panel

Manufactured using Virgin Acrylic / DR

Available in

50" and 100" Lengths

COLOR: Opal

60 pieces Per carton



Owned & Operated

CALL FOR PRICING and Availability

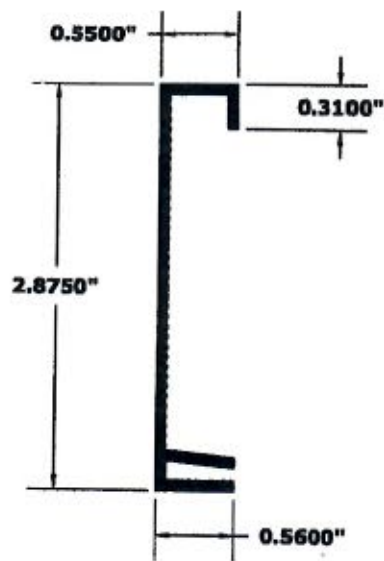
714-991-6061

965 E DISCOVERY LANE, ANAHEIM, CA 92801



DIE # 35

Side Rail



**WALL = .070"
INCLUDING SERRATION**



Owned & Operated

Die # 35 - Side Rail

Manufactured using Virgin Acrylic / DR

Available in

50" and 100" Lengths

COLOR: Clear

32 pieces Per carton

CALL FOR PRICING AND AVAILABILITY

714-991-6061

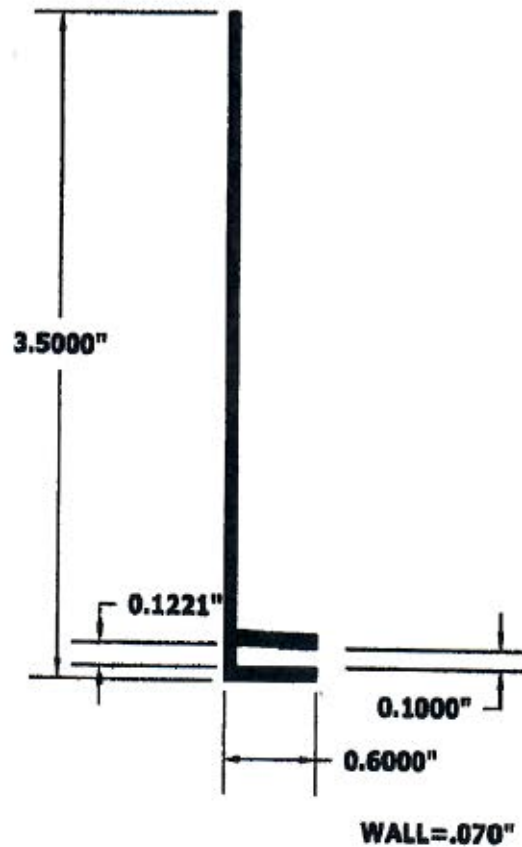
USA Extruded Plastics, Inc.

965 E DISCOVERY LANE, ANAHEIM, CA 92801



DIE # 41

Side Rail



Die # 41 - Side Rail

Manufactured using Virgin Acrylic / DR

Available in

50" and 100" Lengths

COLOR: Clear and Opal

100 pieces Per carton

CALL FOR PRICING AND AVAILABILITY

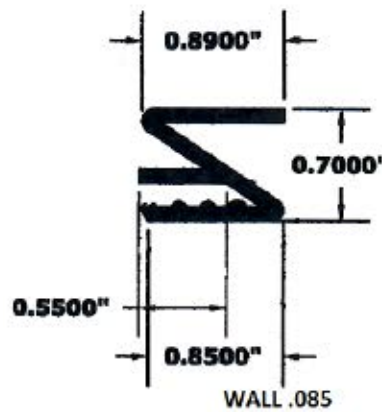
714-991-6061

USA Extruded Plastics, Inc.

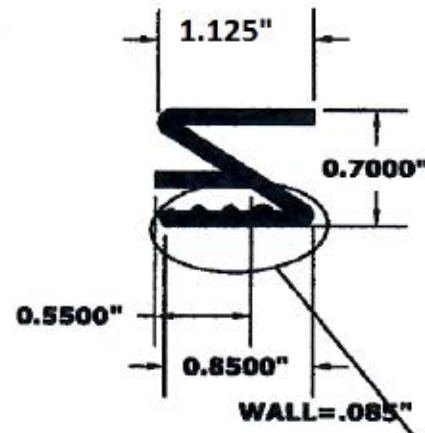
965 E DISCOVERY LANE, ANAHEIM, CA 92801



DIE # 43 and 43A Z Rail



DIE # 43



DIE # 43 A

Die # 43 and 43 A - Z Rail

Manufactured using Virgin Acrylic / DR

Available in

50" and 100" Lengths

COLOR: Clear

70 pieces Per carton



CALL FOR PRICING AND AVAILABILITY

714-991-6061

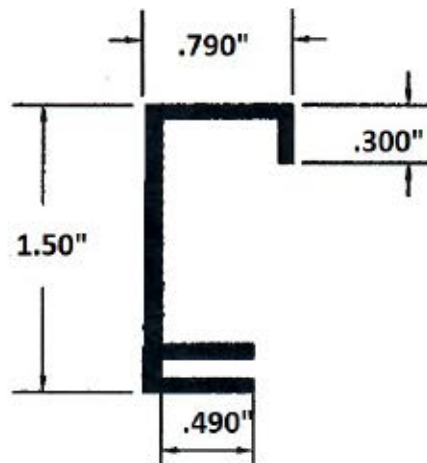
USA Extruded Plastics, Inc.

965 E DISCOVERY LANE, ANAHEIM, CA 92801



DIE # 49 ****

Side Panel



Die # 49 Side Panel

Manufactured using Virgin Acrylic / DR

Available in

50" and 100" Lengths

COLOR: Clear

50 pieces Per carton

**** 49A is now Die # 394

See page 33

CALL FOR PRICING and Availability

714-991-6061

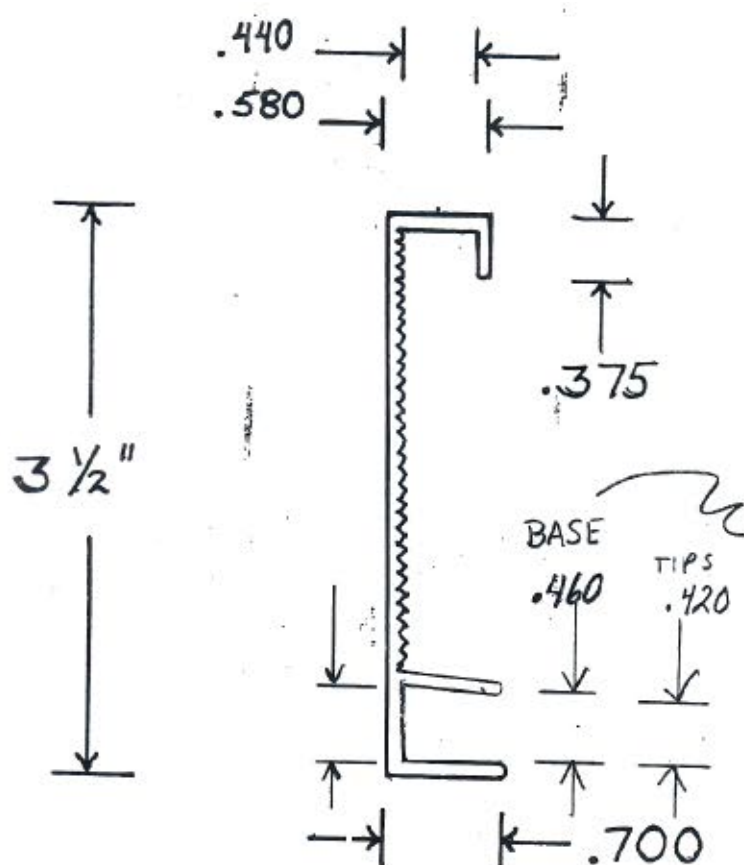
USA Extruded Plastics, Inc.

965 E DISCOVERY LANE, ANAHEIM, CA 92801



DIE # 93

(Louver) Side Panel



Die # 93 (Louver) Side Panel

Manufactured using Virgin Acrylic / DR

Available in

100" Lengths

COLOR: Black or White

28 pieces Per carton

CALL FOR PRICING and Availability

714-991-6061

USA Extruded Plastics, Inc.

965 E DISCOVERY LANE, ANAHEIM, CA 92801



DIE # 128

Side Panel



Die 128 - Side Panel

Manufactured using Virgin Acrylic / DR

Available in

50" and 100" Lengths

COLOR: Clear

48 pieces Per carton

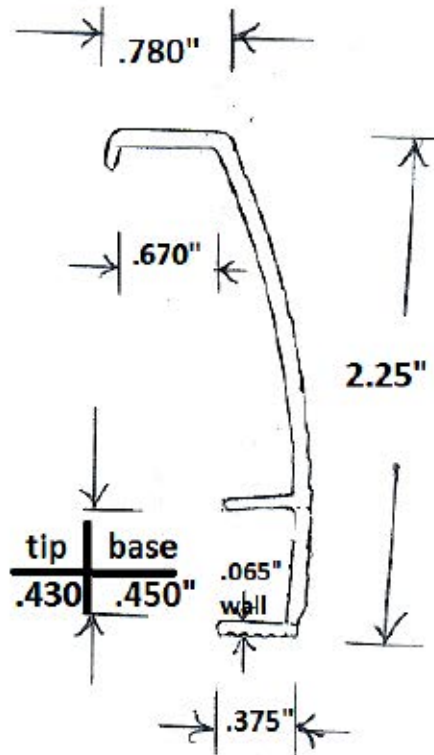
CALL FOR PRICING and Availability

714-991-6061

965 E DISCOVERY LANE, ANAHEIM, CA 92801



DIE # 142 (Louver) Side Panel



DIE # 142



Owned & Operated

Die # 142 Side Panel

Manufactured using High Impact Styrene

Available in

100" Lengths

COLOR: Black or White

36 pieces Per carton

CALL FOR PRICING and Availability

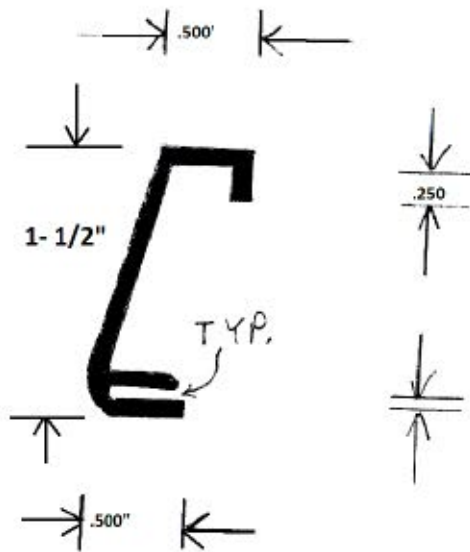
714-991-6061

USA Extruded Plastics, Inc.

965 E DISCOVERY LANE, ANAHEIM, CA 92801



DIE # 148 Side Panel



Owned & Operated

Die # 148 Side Panel

Manufactured using Virgin Acrylic / DR

Available in

50" Lengths

COLOR: Clear

72 pieces Per carton

CALL FOR PRICING AND AVAILABILITY

714-991-6061

USA Extruded Plastics, Inc.

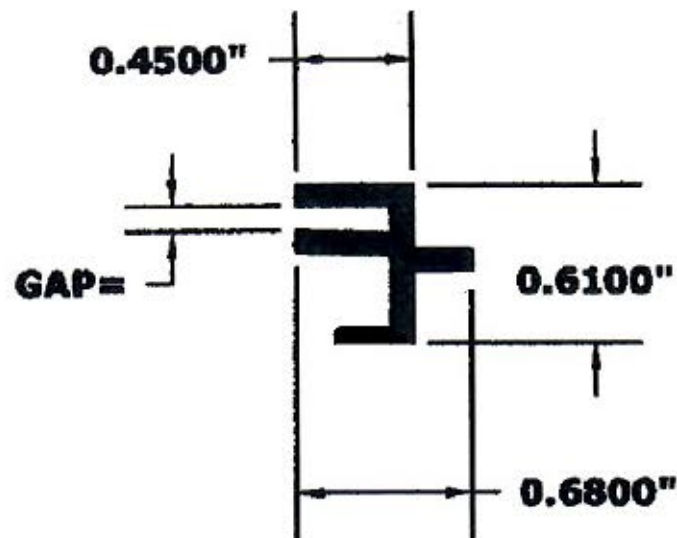
965 E DISCOVERY LANE, ANAHEIM, CA 92801



DIE # 170

Side Rail

WALL=.085-.090"



Die # 170 Side Rail

Manufactured using Acrylic / DR

Available in:

50" Lengths

COLOR: Clear

125 pieces Per carton

CALL FOR PRICING AND AVAILABILITY

USA EXTRUDED PLASTICS, INC.

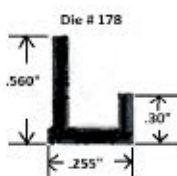
714-991-6061

965 E DISCOVERY LANE, ANAHEIM, CA 92801



DIE # 178

Hook



Die # 178 Hook

Manufactured using Acrylic / DR

Available in

100" Lengths

COLOR: Clear

200 pieces Per carton



Owned & Operated

CALL FOR PRICING AND AVAILABILITY

714-991-6061

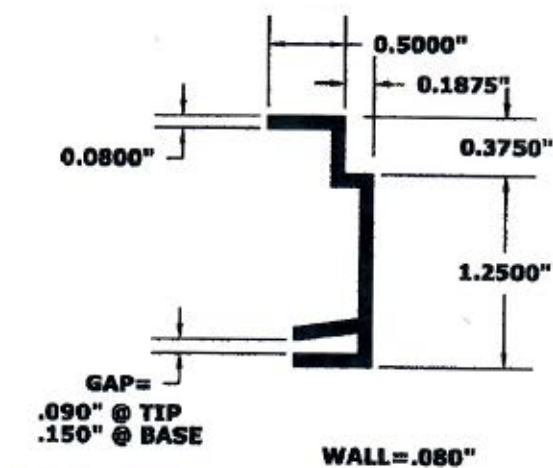
USA Extruded Plastics, Inc.

965 E DISCOVERY LANE, ANAHEIM, CA 92801



DIE # 210

Side Panel



Owned & Operated

Die # 210 Side Panel

Manufactured using Virgin Acrylic / DR

Available in

50" and 100" Lengths

COLOR: Clear

56 pieces Per carton

CALL FOR PRICING AND AVAILABILITY

714-991-6061

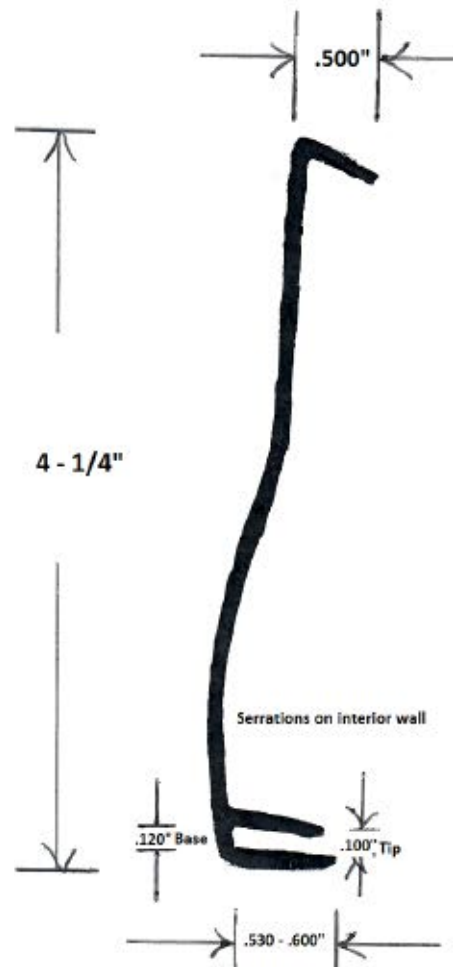
USA Extruded Plastics, Inc.

965 E DISCOVERY LANE, ANAHEIM, CA 92801



DIE # 224

Side Panel



Owned & Operated

Die # 224 Side Panel

Manufactured using Virgin Acrylic / DR

Available in

50" and 100" Lengths

COLOR: Clear or Opal

24 pieces per carton

CALL FOR PRICING AND AVAILABILITY

714-991-6061

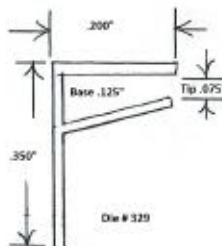
USA Extruded Plastics, Inc.

965 E DISCOVERY LANE, ANAHEIM, CA 92801



DIE # 329

Hook



Die # 329 Hook

Manufactured using Polycarbonate

Available in

96" Lengths

COLOR: Clear

500 pieces Per carton



Owned & Operated

CALL FOR PRICING AND AVAILABILITY

714-991-6061

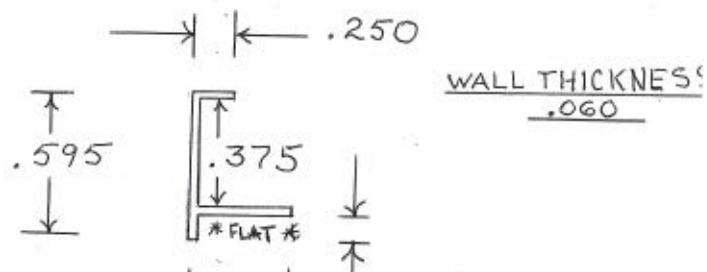
USA Extruded Plastics, Inc.

965 E DISCOVERY LANE, ANAHEIM, CA 92801



DIE # 347

Side Rail



Die # 347 Side Rail

Manufactured using Virgin Acrylic / DR

Available in

48- 1/4" Lengths (can run longer)

COLOR: Clear

200 pieces Per carton



CALL FOR PRICING AND AVAILABILITY

714-991-6061

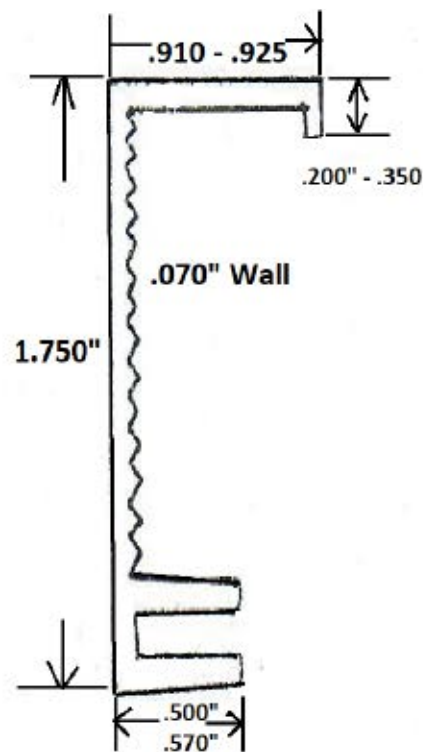
USA Extruded Plastics, Inc.

965 E DISCOVERY LANE, ANAHEIM, CA 92801



DIE # 394

Side Panels



Die # 394 aka Die # 49A

Manufactured using Virgin Acrylic/ DR

Available in:

50" and 100" Lengths

COLOR: Clear

40 pieces Per carton

CALL FOR PRICING AND AVAILABILITY

USA EXTRUDED PLASTICS, INC.

714-991-6061

965 E DISCOVERY LANE, ANAHEIM, CA 92801